

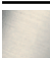
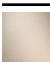




ST 010 102 4705



- 160mm projection
- fixed spout
- rectangular spray pattern with 40 individual jets
- height of mixer 204 mm
- height up to aerator 190 mm
- hole diameter valve 32 mm
- hole diameter spout 35 mm
- rosette 60 x 47 mm
- 2x screw-in M 10 x 1 pressure hose, leak-tested
- max. flow 4 l/min
- lead-free
- This product can help a building meet the requirements of Green Building Rating Systems, e.g. LEED®, BREEAM®, DGNB

	Dark Chrome	ST 010 102 4705-19
	Chrome	ST 010 102 4705-00
	Brushed Platinum	ST 010 102 4705-06
	Brushed Champagne (22kt Gold)	ST 010 102 4705-46
	Champagne (22kt Gold)	ST 010 102 4705-47
	Brushed Dark Platinum	ST 010 102 4705-99

**Individual components of this set**

You need the following components for this set

1x 13 715 705-19



1x 20 004 705-19



1x 20 004 706-19


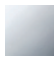
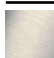







ST 010 102 4705

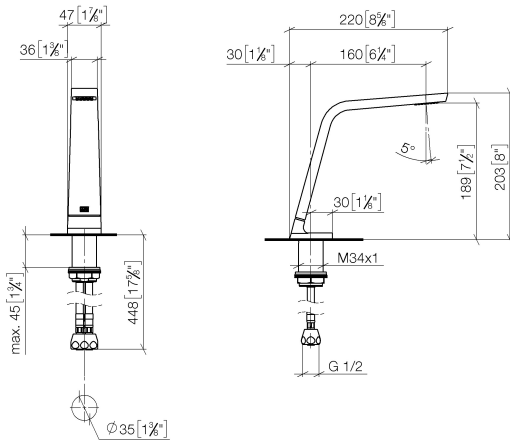


- 160mm projection
- fixed spout
- rectangular spray pattern with 40 individual jets
- height of mixer 204 mm
- height up to aerator 190 mm
- hole diameter 35 mm
- 2x screw-in M 10 x 1 pressure hose, leak-tested
- 1/2" connection
- max. flow 4 l/min
- lead-free
- This product can help a building meet the requirements of Green Building Rating Systems, e.g. LEED®, BREEAM®, DGNB

	Dark Chrome	13 715 705-19
	Chrome	13 715 705-00
	Brushed Platinum	13 715 705-06
	Brushed Champagne (22kt Gold)	13 715 705-46
	Champagne (22kt Gold)	13 715 705-47
	Brushed Dark Platinum	13 715 705-99

ST 010 102 4705

mm [inches]



**Flow rate chart**

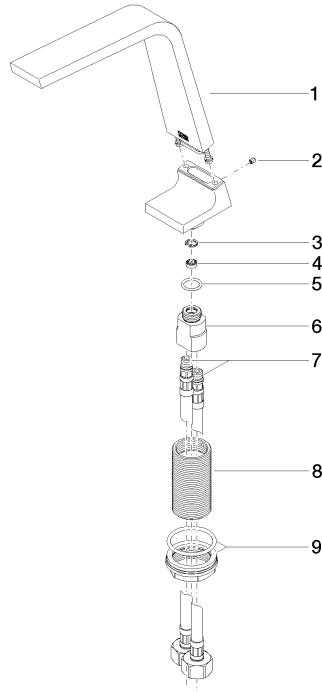


**Certificates**

GDV\_0400279. IAPMO\_N-4976. IAPMO\_6397.

ST 010 102 4705

Parts for other finishes can be found here: [Chrome](#)




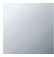

### Spare parts list

No.	Item Number	Name	Quantity used	Delivery time
1	90 11 70 003 00-19	spout	1	20
2	09 31 11 044 90	pin	1	2
3	09 16 01 016 90	ring	1	2
4	09 23 01 034 90	flow reducer	1	2
5	09 14 10 130 90	seal	1	2
6	09 11 10 055 10 90	connection	1	2
7	04 30 04 019 00 90	hose	2	2
8	09 30 01 208 90	connection	1	2
9	04 23 10 044 06 90	fixing set	1	2

ST 010 102 4705

- hole diameter 32 mm
- rosette 60 x 47 mm
- with cold marking



	Dark Chrome	20 004 705-19
	Chrome	20 004 705-00
	Brushed Platinum	20 004 705-06
	Brushed Champagne (22kt Gold)	20 004 705-46
	Champagne (22kt Gold)	20 004 705-47
	Brushed Dark Platinum	20 004 705-99



## CL.1 Three-hole basin mixer without pop-up waste - Dark Chrome

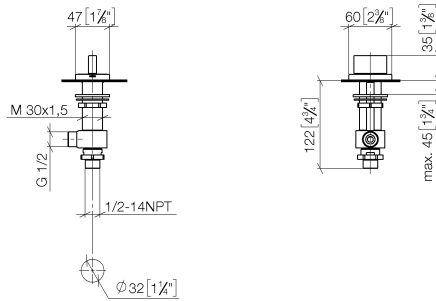
---

CL.1

ST 010 102 4705

ST 010 102 4705

mm [inches]



**Flow rate chart**



**Certificates**

IAPMO\_N-4976.

LGA\_28687.

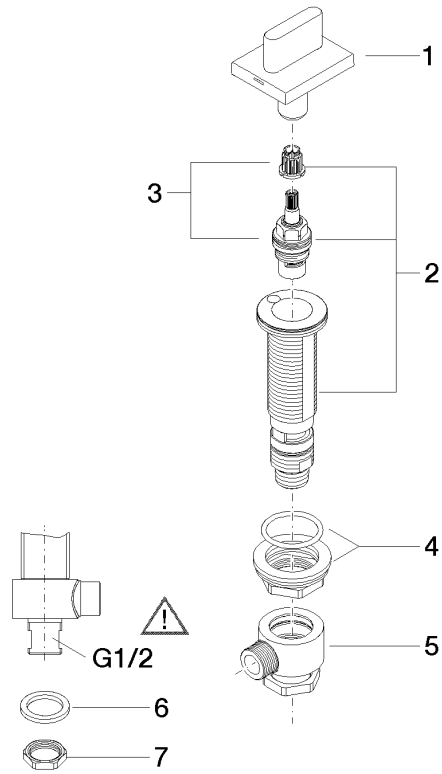
IAPMO\_6397.

WRAS\_240202020.



ST 010 102 4705

Parts for other finishes can be found here: [Chrome](#)




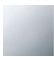




**Spare parts list**

No.	Item Number	Name	Quantity used	Delivery time
1	90 20 70 051 06-19	handle ( cold )	1	20
2	04 17 11 058 53 90	side panel	1	2
3	90 90 03 153 00 90	top	1	2
4	04 23 10 032 78 90	fixing set	1	2
5	04 17 11 023 10 90	distributor	1	2
6	90 23 30 040 00-19	threaded connector	1	-
Spare part can no longer be ordered, please order the replacement item				
7	09 30 11 059 90	disc	1	2
8	09 23 10 012 90	nut	1	2

ST 010 102 4705

- hole diameter 32 mm
- rosette 60 x 47 mm
- with hot marking



	Dark Chrome	20 004 706-19
	Chrome	20 004 706-00
	Brushed Platinum	20 004 706-06
	Brushed Champagne (22kt Gold)	20 004 706-46
	Champagne (22kt Gold)	20 004 706-47
	Brushed Dark Platinum	20 004 706-99



## CL.1 Three-hole basin mixer without pop-up waste - Dark Chrome

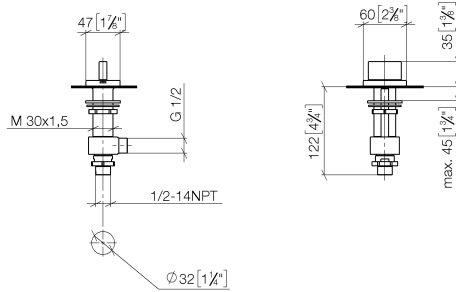
---

CL.1

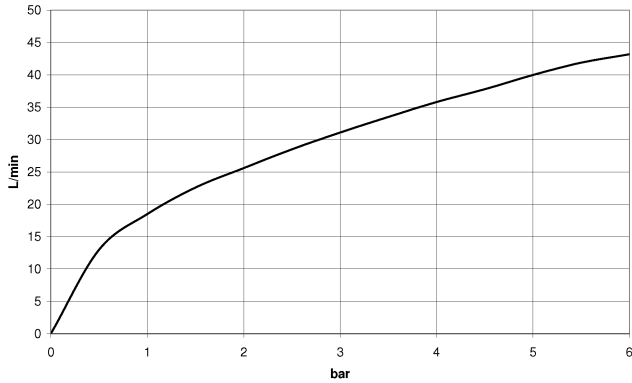
ST 010 102 4705

ST 010 102 4705

mm [inches]



**Flow rate chart**



**Certificates**

IAPMO\_N-4976.

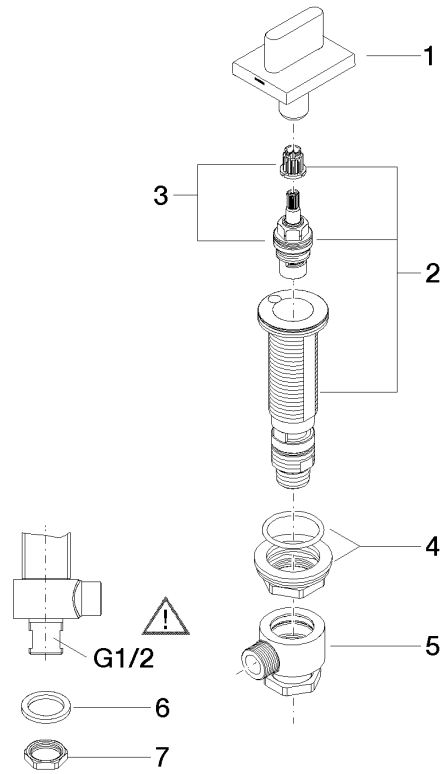
LGA\_28687.

IAPMO\_6397.

WRAS\_240202020.

ST 010 102 4705

Parts for other finishes can be found here: [Chrome](#)



### Spare parts list

No.	Item Number	Name	Quantity used	Delivery time
1	90 20 70 051 07-19	handle ( hot )	1	20
2	04 17 11 058 52 90	side panel	1	2
3	90 90 03 152 00 90	top	1	2
4	04 23 10 032 78 90	fixing set	1	2
5	04 17 11 023 10 90	distributor	1	2
6	90 23 30 040 00-19	threaded connector	1	-
Spare part can no longer be ordered, please order the replacement item				
7	09 30 11 059 90	disc	1	2
8	09 23 10 012 90	nut	1	2